

LOCK INTO THE ACSI ADVANTAGE



**LIST PRICE BOOK # 7**  
**EFFECTIVE AUGUST 1, 2009**



# TABLE OF CONTENTS

TERMS AND CONDITIONS OF SALE/WARRANTY ..... 1

SERIES 1100 ELECTRIC HINGES/PIVOTS ..... 2

SERIES 1300 DOOR CONTROL ACCESSORIES..... 9

SERIES 1300 DOOR CONTROLS..... 10

SERIES 1400 POWER SUPPLIES..... 11

SERIES 1500 ELECTRIC LOCKS/MODIFICATIONS ..... 13

SERIES 1500 ELECTRIC EXIT DEVICE MODIFICATIONS ..... 17

SERIES 1700 ELECTRIC STRIKES..... 21

SERIES 3700 ELECTROMAGNETIC LOCKS ..... 23

SERIES 6100 COMMUNICATING BATH DOOR SYSTEM ..... 25

SERIES 8500 GEMINI LOCKING SYSTEM..... 27



# TERMS AND CONDITIONS OF SALE/WARRANTY

## ACKNOWLEDGEMENT OF ORDER AND TERMS AND CONDITIONS OF SALE

This is to acknowledge receipt of your ("Buyer") purchase order for the specified ARCHITECTURAL CONTROL SYSTEMS, INCORPORATED ("Seller") products (the "Products") and to set forth the terms and conditions ("Terms and Conditions") of sale for this order. If the Terms and Conditions of this acknowledgment differ in any way from the terms and conditions of Buyer's order, this acknowledgment shall be construed as a counteroffer and shall not be effective as an acceptance of such order unless Buyer assents to the Terms and Conditions contained herein, which shall constitute the entire agreement (the "Agreement") between the parties. Buyer's assent to the Terms and Conditions contained herein shall be deemed given upon Buyer's execution of this acknowledgment below or upon Buyer's failure to object to these Terms and Conditions in writing within ten (10) days from the date of receipt of this acknowledgment. Buyer's receipt of delivery of the Products without immediate return will further manifest Buyer's assent to these Terms and Conditions. No additions to or modifications of any of the Terms and Conditions hereof shall be effective unless made in writing and signed by both parties.

1. **TAXES:** Any tax or governmental charge (or increase in same) affecting Seller's costs of production, sale, or delivery shall be for Buyer's account and shall be added to the price and shall not be subject to any discount.
2. **MINIMUM ORDER CHARGE:** The minimum invoice amount will be \$50.00. An order with a net value of less than \$50.00 will be invoiced at \$50.00.
3. **TERMS OF PAYMENT:** Terms are net thirty (30) days from the date of Seller's invoice in U.S. currency. Seller shall have the right, among other remedies, either to terminate this Agreement or to suspend further performance under this and/or other agreements with Buyer in the event Buyer fails to make any payment when due. Buyer shall be liable for all costs and expenses, including reasonable attorneys' fees, relating to the collection of past due amounts. If any payment owed to Seller is not paid when due, it shall bear interest at the maximum rate allowed by law from the date on which it is due until it is paid. Should Buyer's financial situation and/or capabilities become unsatisfactory to Seller in its sole discretion, cash payments or security satisfactory to Seller may be required by Seller for future deliveries and for the Products theretofore delivered.
4. **BACK CHARGES:** Seller is not responsible for, and will not accept, any charges for labor or material costs incurred for any installation, repair, service or replacement of the Products without the prior written consent of Seller.
5. **SHIPMENT AND DELIVERY:** Deliveries are made F.O.B. Seller's shipping point. Responsibility and risk of loss for damage shall pass from Seller to Buyer upon tender to, and receipt by, a common carrier at Seller's shipping point. Buyer hereby expressly waives any claims for shortages or damages suffered in transit against Seller and hereby agrees that any such claims shall be submitted by Buyer directly and only to the Buyer's insurance carrier. While Seller will use commercially reasonable efforts to maintain the delivery date(s) acknowledged or quoted by Seller, all shipping dates are approximate and not guaranteed. Seller reserves the right to make partial shipments. Seller, at its sole option, shall not be bound to tender delivery of any Products for which Buyer has not provided shipping instructions. If the shipment of the Products is postponed or delayed by Buyer for any reason, Buyer agrees to reimburse Seller for any and all storage costs and other additional expenses resulting therefrom.
6. **RETURN OF GOODS:** Products cannot be returned without the prior written consent of Seller. A 25% restocking and handling charge will be applied to returned Products, other than those which are returned for warranty repair or replacement. Additional service charges will apply to any damaged Products for restoration to saleable condition.
7. **LIMITED WARRANTY; LIMITATION OF REMEDY AND LIABILITY:** Subject to the limitations on remedies and liabilities set forth below, Seller warrants that the Products manufactured by Seller will be free from defects in material or workmanship under normal use and regular service and maintenance for one (1) year from the date of sale by Seller to Buyer. Determination of the suitability or fitness of the Products from the use or purpose contemplated by Buyer is the sole responsibility of Buyer, and Seller shall have no responsibility in connection with such suitability. The warranty set forth in this paragraph is Seller's sole warranty with respect to the Products.

SELLER MAKES NO OTHER WARRANTY OF ANY KIND WHATSOEVER, EXPRESS OR IMPLIED, INCLUDING, WITHOUT LIMITATION, ANY WARRANTY AGAINST INFRINGEMENT OF ANY THIRD PARTY'S INTELLECTUAL PROPERTY RIGHTS; AND ALL IMPLIED WARRANTIES OF MERCHANTABILITY AND FITNESS FOR A PARTICULAR PURPOSE ARE HEREBY DISCLAIMED BY SELLER AND EXCLUDED FROM THIS AGREEMENT.

Buyer agrees to examine and inspect the Products immediately upon arrival at their destination, and if the Products allegedly fail to comply with the limited warranty provided hereunder, Buyer shall give detailed written notice of such alleged failure/non-compliance to Seller within ten (10) days of its receipt of the Products. Any claim under this warranty shall conclusively be deemed waived by Buyer unless written notice thereof is given to Seller within ten (10) days after Buyer discovers, or should reasonably have discovered, the alleged failure/non-compliance of the Products, whichever is earlier. Buyer's exclusive remedy under this warranty is limited to the repair or replacement of the Products or the refund of the amount of the purchase price paid by Buyer, at Seller's sole option, upon the return of any nonconforming Products to Seller at Buyer's expense.

This limited warranty does not extend to any losses or damages due to misuse, accident, abuse, neglect, normal wear and tear, Buyer's negligence or intentional conduct, unauthorized modification or alteration, use beyond rated capacity, or improper installation, maintenance or application. To the extent that Seller has relied upon any specifications, information, representations of operating conditions or other data supplied by Buyer or its agents to Seller in connection with the design or manufacture of the Products, and in the event such specifications, information, representations or other data caused and/or contributed to the alleged failure/non-compliance of the Products, then any warranties contained herein shall be expressly waived by Buyer and be deemed null and void.

IT IS UNDERSTOOD AND AGREED THAT SELLER'S LIABILITY HEREUNDER OR IN CONNECTION WITH THE MANUFACTURE OR SALE OF THE PRODUCTS DESCRIBED HEREIN, WHETHER IN CONTRACT, IN TORT, FOR INFRINGEMENT, UNDER ANY WARRANTY, IN NEGLIGENCE OR OTHERWISE SHALL NOT EXCEED THE AMOUNT OF THE PURCHASE PRICE PAID BY BUYER. UNDER NO CIRCUMSTANCES SHALL SELLER BE LIABLE FOR SPECIAL, INCIDENTAL, INDIRECT OR CONSEQUENTIAL DAMAGES (INCLUDING, WITHOUT LIMITATION, ANY LOSS OF ANTICIPATED PROFITS INCURRED BY BUYER). THE PRICE STATED FOR THE PRODUCTS IS A CONSIDERATION IN LIMITING SELLER'S LIABILITY.

8. **EXCUSE OF PERFORMANCE (FORCE MAJEURE):** Seller shall not be liable for delays in performance or for non-performance due to acts of God; acts of Buyer; war; fire; terrorism or other criminal conduct; flood; weather; sabotage; strikes, or labor or civil disturbances; governmental requests, restrictions, laws, regulations, orders or actions; unavailability of or delays in materials, utilities or transportation; default of suppliers; or circumstances or any other events or causes beyond Seller's control. Deliveries or other performance may be suspended for an appropriate period of time or canceled by Seller upon notice to Buyer in the event of any of the foregoing, but the remainder of the Agreement shall otherwise remain unaffected as a result of the foregoing.
 

If Seller determines that its ability to supply the total demand for the Products, or to obtain material used directly or indirectly in the manufacture of the Products, is hindered, limited or made impracticable, Seller may allocate its available supply of the Products or such material (without obligation to acquire other supplies of any such Products or material) among its purchasers on such basis as Seller determines to be equitable without liability for any failure of performance which may result therefrom.
9. **CANCELLATION:** Buyer may cancel orders only upon reasonable advance written notice and consent of Seller. If Seller consents to such cancellation, Buyer must pay Seller its cancellation charges which include, among other things, all costs and expenses incurred to cover commitments made by Seller, and a reasonable profit thereon. Seller's determination of such termination charges shall be conclusive.
10. **CHANGES:** Buyer may request changes or additions to the Products consistent with Seller's specifications and criteria. In the event such changes or additions are accepted by Seller, Seller may revise the price(s) and date(s) of delivery.
 

Seller reserves the right to change designs and specifications for the Products without prior notice to Buyer, except with respect to Products being made-to-order for Buyer.
11. **ASSIGNMENT:** Buyer shall not assign its rights or delegate its duties hereunder or any interest therein or any rights hereunder without the prior written consent of Seller, and any such assignment, without such consent, shall be void.
12. **INSTALLATION:** Buyer shall be responsible for receiving, inspecting, testing, storing, installing, starting up, and maintaining all Products.
13. **GENERAL PROVISIONS:** These Terms and Conditions supersede all other communications, negotiations and prior oral or written statements regarding the subject matter of these Terms and Conditions. No change, modification, rescission, discharge, abandonment, or waiver of these Terms and Conditions shall be binding upon Seller unless made in writing and signed on its behalf by a duly authorized representative of Seller. No conditions, usage of trade, course of dealing or performance, understanding or agreement purporting to modify, vary, explain, reject, or supplement these Terms and Conditions shall be binding unless hereafter made in writing and signed by the party to be bound, and no modification shall be affected by Seller's receipt, acknowledgment, or acceptance of purchase orders, shipping instruction forms, or other documentation containing terms at variance with or in addition to those set forth herein. No waiver by either party with respect to any breach or default or of any right or remedy and no course of dealing, shall be deemed to constitute a continuing waiver of any other breach or default or of any other right or remedy, unless such waiver be expressed in writing and signed by the party to be bound. All typographical or clerical errors made by Seller in any quotation, acknowledgment or publication are subject to correction. In the event that any work, phrase, clause, sentence, or other provision hereof shall be deemed unenforceable by a court of law and/or equity, such finding shall not invalidate all other enforceable provisions hereof.

The validity, performance, and all other matters relating to the interpretation and effect of this Agreement shall be governed by the laws of the state of Missouri, without giving effect to its conflict of laws rules. The application of the United Nations Convention on Contracts for the International Sale of Goods and the United Nations Convention on the Limitation Period in the International Sale of Goods to this Agreement are expressly excluded. Buyer and Seller agree that the proper and only venue for all actions arising from, relating to or in connection with this sale shall be the County of St. Louis, State of Missouri, where Seller's place of business is situated, and the parties agree to submit to such jurisdiction.



LIST PRICES EFFECTIVE  
AUGUST 1, 2009

# SERIES 1100 ELECTRIC HINGES/PIVOTS

ACSI Series 1100 Electric Hinges/Pivots are designed for doors that require concealed low voltage current transfer, concealed electric monitoring, or concealed low voltage current transfer with monitoring.

**Features**

- UL listed (UL File BP6073)
- UL Fire Rating on steel and stainless electric hinges (UL File R22305)
- Provide current transfer to electrified mortise or cylindrical locks, exit devices with electric latch retraction, electric strikes (pair of doors), and locks with monitoring or request to exit switches
- UL Rated for 3.5 amp continuous and a 16 amp pulse
- Available in Hager, Stanley, McKinney, Bommer, Rixson, Ives, and more
- Standard weight or heavy weight models
- Steel, brass, or stainless steel hinges
- Available in five knuckle and three knuckle hinges
- All architectural finishes in sizes 4x4 through 6x6
- **Hinges/Pivots in stock for same day shipments**

## ELECTRIC HINGES

Below pricing for hinges supplied by ACSI. Consult the factory for hinges not listed.

<u>Hinge</u>	<u>Size</u>	<u>Finish</u>	<u>Model</u>	<u>List Price</u>	
BB1279, FBB179, CB179, TA2714, BB5000, 5BB1 <small>*Std. Wt. Steel</small>	4.0x4.0	26D 652	1104-4 wire	\$180	
		10B 640	1104-4 wire	186	
		10A 641	1104-4 wire	186	
		3 632	1104-4 wire	186	
		26 651	1104-4 wire	186	
		10 639	1104-4 wire	184	
		4 633	1104-4 wire	184	
		P 600	1104-4 wire	184	
		4.5x4.0	26D 652	1104-4 wire	178
			10B 640	1104-4 wire	186
10A 641	1104-4 wire		186		
3 632	1104-4 wire		186		
26 651	1104-4 wire		186		
10 639	1104-4 wire		184		
4 633	1104-4 wire		184		
P 600	1104-4 wire		184		
4.5x4.5	26D 652		1104-4 wire	166	
	10B 640		1104-4 wire	170	
	10A 641	1104-4 wire	170		
	3 632	1104-4 wire	170		
	26 651	1104-4 wire	170		
	10 639	1104-4 wire	170		
	4 633	1104-4 wire	170		
	P 600	1104-4 wire	170		
	5.0x4.0	26D 652	1104-4 wire	190	
		10B 640	1104-4 wire	198	
10A 641		1104-4 wire	198		
3 632		1104-4 wire	198		
26 651		1104-4 wire	198		
10 639		1104-4 wire	184		
4 633		1104-4 wire	184		
P 600		1104-4 wire	184		

**ELECTRIC HINGES**

<u>Hinge</u>	<u>Size</u>	<u>Finish</u>	<u>Model</u>	<u>List Price</u>
<b>BB1279, FBB179, CB179, TA2714, BB5000, 5BB1</b> *Std. Wt. Steel	5.0x4.5	26D 652	1104-4 wire	\$186
		10B 640	1104-4 wire	192
		10A 641	1104-4 wire	192
		3 632	1104-4 wire	192
		26 651	1104-4 wire	192
		10 639	1104-4 wire	190
		4 633	1104-4 wire	190
	P 600	1104-4 wire	190	
	5.0x5.0	26D 652	1104-4 wire	186
		10B 640	1104-4 wire	194
		10A 641	1104-4 wire	194
		3 632	1104-4 wire	194
		26 651	1104-4 wire	194
10 639		1104-4 wire	190	
4 633		1104-4 wire	190	
P 600	1104-4 wire	190		
<b>BB1168, FBB168, CB168, T4A3786, BB5004, 5BB1HW</b> *Heavy Wt. Steel	4.5x4.0	26D 652	1104-4 wire	204
		10B 640	1104-4 wire	220
		10A 641	1104-4 wire	220
		3 632	1104-4 wire	220
		26 651	1104-4 wire	220
		10 639	1104-4 wire	204
		4 633	1104-4 wire	204
	P 600	1104-4 wire	204	
	4.5x4.5	26D 652	1104-4 wire	204
		10B 640	1104-4 wire	210
		10A 641	1104-4 wire	230
		3 632	1104-4 wire	230
		26 651	1104-4 wire	230
10 639		1104-4 wire	204	
4 633		1104-4 wire	204	
P 600	1104-4 wire	204		
5.0x4.5	26D 652	1104-4 wire	210	
	10B 640	1104-4 wire	230	
	10A 641	1104-4 wire	230	
	3 632	1104-4 wire	230	
	26 651	1104-4 wire	230	
	10 639	1104-4 wire	210	
	4 633	1104-4 wire	210	
P 600	1104-4 wire	210		
5.0x5.0	26D 652	1104-4 wire	210	
	10B 640	1104-4 wire	230	
	10A 641	1104-4 wire	230	
	3 632	1104-4 wire	230	
	26 651	1104-4 wire	230	
	10 639	1104-4 wire	210	
	4 633	1104-4 wire	210	
P 600	1104-4 wire	210		

**ELECTRIC HINGES**

<b>Hinge</b>	<b>Size</b>	<b>Finish</b>	<b>Model</b>	<b>List Price</b>	
<b>BB1191, FBB191, TA2314, BB5001, BB5002, 5BB1</b> <small>*Std. Wt. Brass or Stainless</small>	4.5x4.0	26D 626	1104-4 wire	\$202	
		10B 613	1104-4 wire	206	
		3 605	1104-4 wire	206	
		26 625	1104-4 wire	206	
		10 612	1104-4 wire	206	
		4 606	1104-4 wire	206	
		32 629	1104-4 wire	240	
		32D 630	1104-4 wire	240	
		4.5x4.5	26D 626	1104-4 wire	202
			10B 613	1104-4 wire	206
			3 605	1104-4 wire	206
			26 625	1104-4 wire	206
			10 612	1104-4 wire	206
4 606	1104-4 wire		206		
32 629	1104-4 wire		236		
32D 630	1104-4 wire		236		
5.0x4.5	26D 626	1104-4 wire	224		
	10B 613	1104-4 wire	236		
	3 605	1104-4 wire	236		
	26 625	1104-4 wire	236		
	10 612	1104-4 wire	224		
	4 606	1104-4 wire	224		
	32 629	1104-4 wire	250		
	32D 630	1104-4 wire	250		
5.0x5.0	26D 626	1104-4 wire	224		
	10B 613	1104-4 wire	234		
	3 605	1104-4 wire	234		
	26 625	1104-4 wire	234		
	10 612	1104-4 wire	224		
	4 606	1104-4 wire	224		
	32 629	1104-4 wire	256		
	32D 630	1104-4 wire	256		
<b>BB1199, FBB199, T4A3386, BB5005, BB5006, 5BB1HW</b> <small>*Heavy Wt. Brass or Stainless</small>	4.5x4.0	26D 626	1104-4 wire	240	
		10B 613	1104-4 wire	250	
		3 605	1104-4 wire	250	
		26 625	1104-4 wire	250	
		10 612	1104-4 wire	250	
		4 606	1104-4 wire	250	
		32 629	1104-4 wire	264	
		32D 630	1104-4 wire	264	
		4.5x4.5	26D 626	1104-4 wire	240
			10B 613	1104-4 wire	250
			3 605	1104-4 wire	250
			26 625	1104-4 wire	250
			10 612	1104-4 wire	250
4 606	1104-4 wire		250		
32 629	1104-4 wire		268		
32D 630	1104-4 wire		268		

**ELECTRIC HINGES**

<b>Hinge</b>	<b>Size</b>	<b>Finish</b>	<b>Model</b>	<b>List Price</b>
<b>BB1199, FBB199, T4A3386, BB5005, BB5006, 5BB1HW</b> *Heavy Wt. Brass or Stainless	5.0x4.5	26D 626	1104-4 wire	\$250
		10B 613	1104-4 wire	264
		3 605	1104-4 wire	264
		26 625	1104-4 wire	264
		10 612	1104-4 wire	264
		4 606	1104-4 wire	264
		32 629	1104-4 wire	280
	32D 630	1104-4 wire	280	
	5.0x5.0	26D 626	1104-4 wire	250
		10B 613	1104-4 wire	264
		3 605	1104-4 wire	264
		26 625	1104-4 wire	264
		10 612	1104-4 wire	264
4 606		1104-4 wire	264	
32 629		1104-4 wire	280	
32D 630	1104-4 wire	280		
<b>AB700, TA714, LB8000, 3CB1</b> *Std. Wt. Steel *3 Knuckle	4.5x4.5	26D 652	1104-4 wire	186
		10B 640	1104-4 wire	194
		10A 641	1104-4 wire	194
		3 632	1104-4 wire	194
		26 651	1104-4 wire	194
		10 639	1104-4 wire	190
		4 633	1104-4 wire	190
	P 600	1104-4 wire	190	
	5.0x4.5	26D 652	1104-4 wire	194
		10B 640	1104-4 wire	204
		10A 641	1104-4 wire	204
		3 632	1104-4 wire	204
		26 651	1104-4 wire	204
10 639		1104-4 wire	198	
4 633		1104-4 wire	198	
P 600	1104-4 wire	198		
5.0x5.0	26D 652	1104-4 wire	194	
	10B 640	1104-4 wire	204	
	10A 641	1104-4 wire	204	
	3 632	1104-4 wire	204	
	26 651	1104-4 wire	204	
	10 639	1104-4 wire	198	
	4 633	1104-4 wire	198	
P 600	1104-4 wire	198		
<b>AB750, TA786, LB8004, 3CB1HW</b> *Heavy Wt. Steel *3 Knuckle	4.5x4.5	26D 652	1104-4 wire	240
		10B 640	1104-4 wire	250
		10A 641	1104-4 wire	250
		3 632	1104-4 wire	250
		26 651	1104-4 wire	250
		10 639	1104-4 wire	250
		4 633	1104-4 wire	250
	P 600	1104-4 wire	250	
	5.0x4.5	26D 652	1104-4 wire	250
		10B 640	1104-4 wire	264
		10A 641	1104-4 wire	264
		3 632	1104-4 wire	264
		26 651	1104-4 wire	264
10 639		1104-4 wire	264	
4 633	1104-4 wire	264		
P 600	1104-4 wire	264		

**ELECTRIC HINGES**

<u>Hinge</u>	<u>Size</u>	<u>Finish</u>	<u>Model</u>	<u>List Price</u>
<b>AB800, TA314, LB8001, LB8002, 3CB1</b> *Std. Wt. Brass or Stainless *3 Knuckle	4.5x4.5	26D 626	1104-4 wire	\$240
		10B 613	1104-4 wire	250
		3 605	1104-4 wire	250
		26 625	1104-4 wire	250
		10 612	1104-4 wire	250
		4 606	1104-4 wire	250
		32 629	1104-4 wire	270
		32D 630	1104-4 wire	270
		26D 626	1104-4 wire	264
		10B 613	1104-4 wire	270
		3 605	1104-4 wire	270
		26 625	1104-4 wire	270
		10 612	1104-4 wire	270
4 606	1104-4 wire	270		
32 629	1104-4 wire	298		
32D 630	1104-4 wire	298		
5.0x5.0	26D 626	1104-4 wire	264	
	10B 613	1104-4 wire	270	
	3 605	1104-4 wire	270	
	26 625	1104-4 wire	270	
	10 612	1104-4 wire	270	
	4 606	1104-4 wire	270	
	32 629	1104-4 wire	298	
	32D 630	1104-4 wire	298	
	26D 626	1104-4 wire	270	
	10B 613	1104-4 wire	280	
	3 605	1104-4 wire	280	
	26 625	1104-4 wire	280	
	10 612	1104-4 wire	280	
4 606	1104-4 wire	280		
32 629	1104-4 wire	308		
32D 630	1104-4 wire	308		
<b>AB850, TA386, LB8005, LB8006, 3CB1HW</b> *Heavy Wt. Brass or Stainless *3 Knuckle	4.5x4.5	26D 626	1104-4 wire	270
		10B 613	1104-4 wire	280
		3 605	1104-4 wire	280
		26 625	1104-4 wire	280
		10 612	1104-4 wire	280
		4 606	1104-4 wire	280
		32 629	1104-4 wire	308
		32D 630	1104-4 wire	308
		26D 626	1104-4 wire	280
		10B 613	1104-4 wire	308
		3 605	1104-4 wire	308
		26 625	1104-4 wire	308
		10 612	1104-4 wire	308
4 606	1104-4 wire	308		
32 629	1104-4 wire	330		
32D 630	1104-4 wire	330		
5.0x4.5	26D 626	1104-4 wire	280	
	10B 613	1104-4 wire	308	
	3 605	1104-4 wire	308	
	26 625	1104-4 wire	308	
	10 612	1104-4 wire	308	
	4 606	1104-4 wire	308	
	32 629	1104-4 wire	330	
	32D 630	1104-4 wire	330	
	26D 626	1104-4 wire	280	
	10B 613	1104-4 wire	308	
	3 605	1104-4 wire	308	
	26 625	1104-4 wire	308	
	10 612	1104-4 wire	308	
4 606	1104-4 wire	308		
32 629	1104-4 wire	330		
32D 630	1104-4 wire	330		
5.0x5.0	26D 626	1104-4 wire	280	
	10B 613	1104-4 wire	308	
	3 605	1104-4 wire	308	
	26 625	1104-4 wire	308	
	10 612	1104-4 wire	308	
	4 606	1104-4 wire	308	
	32 629	1104-4 wire	330	
	32D 630	1104-4 wire	330	
	26D 626	1104-4 wire	280	
	10B 613	1104-4 wire	308	
	3 605	1104-4 wire	308	
	26 625	1104-4 wire	308	
	10 612	1104-4 wire	308	
4 606	1104-4 wire	308		
32 629	1104-4 wire	330		
32D 630	1104-4 wire	330		



**ELECTRIC HINGE OPTIONS (ADD TO 1104 LIST PRICE)**

<u>Model</u>	<u>Hinge Option Description</u>	<u>List Price</u>
1102	Concealed electric through-wire (2 wire, 22 ga)	\$42
1106	Concealed electric through-wire (6 wire)	52
1108	Concealed electric through-wire (8 wire)	62
1100-10	Concealed electric through-wire (10 wire)	116
1100-12	Concealed electric through-wire (12 wire)	124
1102x4	Concealed electric through-wire (2 wire, 22 ga x 4 wire, 28 ga)	106
1110	Concealed electric monitor	Use 1104 List Price
1114	Concealed electric through-wire + monitor (4 wire)	166
1116	Concealed electric through-wire + monitor (6 wire)	186
1118	Concealed electric through-wire + monitor (8 wire)	210
1120	Concealed air transfer	60
E2	Exposed electric contacts (2 contacts)	Consult Factory
E4	Exposed electric contacts (4 contacts)	Consult Factory
ES	Exposed electric switch (1 switch)	Consult Factory
	Radius corner hinges	10
	Long wire leads (4 wire)	\$2/Foot
	Long wire leads (6 wire)	3/Foot
	Long wire leads (8 wire)	4/Foot
302-03-03	7" Hinge mortar guard	\$28
LC-4	Lynx Connector (ASSA Connector)	60
LC-8	Lynx Connector (ASSA Connector)	80

**Note:** Consult factory for Swing Clear, Wide Throw, Half Mortise, Half Surface, Raised Barrel, Hospital Tips, and all other hinges not listed for price and availability.

**ELECTRIC PIVOTS**

<u>Pivot</u>	<u>Finish</u>	<u>Model</u>	<u>List Price</u>
M19	26D, 26, 10B, 3, 10, 4	1104	\$296
M19	26D, 26, 10B, 3, 10, 4	1110	310
M19	26D, 26, 10B, 3, 10, 4	1108	320

**ELECTRIC HINGES/PIVOTS MODIFICATIONS**

Below pricing for modifications to distributor supplied hinges.

<u>Model</u>	<u>Hinge Modification Description</u>	<u>List Price</u>
1102	Concealed electric through-wire (2 wire, 22 ga)	\$204
1104	Concealed electric through-wire (4 wire)	164
1106	Concealed electric through-wire (6 wire)	216
1108	Concealed electric through-wire (8 wire)	224
1100-10	Concealed electric through-wire (10 wire)	258
1100-12	Concealed electric through-wire (12 wire)	264
1102x4	Concealed electric through-wire (2 wire, 22 ga x 4 wire, 28 ga)	258
1110	Concealed electric monitor	164
1114	Concealed electric through-wire and monitor (4 wire)	326
1116	Concealed electric through-wire and monitor (6 wire)	364
1118	Concealed electric through-wire and monitor (8 wire)	390
1120	Air transfer	200

**ELECTRIC HINGES/PIVOTS MODIFICATION COMPARISON**

<b>ACSI</b>	<b>STANLEY</b>	<b>HAGER</b>	<b>IVES</b>	<b>McKINNEY</b>
1104	CE-54	ETW-4	TW4	CC-4
1106	CE-56	ETW-6	TW6	CC-6
1108	CE-58	ETW-8	TW8	CC-8
1110	CS	EMN	MON	CS
1114	CECS-54	ETM-4	TW4M	CSCC-4
1116	CECS-56	ETM-6	TW6M	CSCC-6
1118	CECS-58	ETM-8	TW8M	CSCC-8

**HOW TO ORDER (EXAMPLE)**

**Hinge/Part Description**

FBB179 4.5x4.5 26D  
 BB1279 5.0x4.5 10B  
 M19-US26 LH

**Modification**

**1104**  
**1108**  
**1110**



LIST PRICES EFFECTIVE  
 AUGUST 1, 2009

# SERIES 1300

## DOOR CONTROL ACCESSORIES

### MORTISE KEYSWITCH \*

**ACSI Series 1310 Mortise Keyswitches** are designed to control electric locks, electric strikes, electric exit devices, and a variety of other control applications. ACSI 1310 keyswitches allow keying the electrically controlled openings to facility master key systems. DPDT contacts.

<b>Model</b>	<b>Description</b>	<b>List Price</b>
1310-1	Keyswitch, single gang, wall mount	\$120
1310-2	Keyswitch, single gang, 2 indicators (Red and Green), wall mount	138
1310-3	Keyswitch, double gang, adjustable time delay, wall mount	228
1310-3-2	Keyswitch, double gang, adjustable time delay, 2 indicators (Red and Green), wall mount	260
1310-4	Keyswitch, narrow style, 1-3/4" frame mount	126
1310-4-2	Keyswitch, narrow style, 2 indicators (Red and Green), frame mount	140
1310-5	Keyswitch, double gang, audible alarm, wall mount	206
1310-5-2	Keyswitch, double gang, audible alarm, 2 indicators (Red and Green), wall mount	224

### PUSHBUTTON SWITCH \*

**ACSI Series 1320 Pushbutton Switches** provide a variety of functions for commercial and industrial door control applications. DPDT contacts.

<b>Model</b>	<b>Description</b>	<b>List Price</b>
1320-1	Pushbutton, single gang, wall mount	\$ 88
1320-2	Pushbutton, single gang, 1 indicator (Red or Green), wall mount	104
1320-3	Pushbutton, single gang, 2 indicators (Red and Green), wall mount	112
1320-4	Pushbutton, double gang, adjustable time delay, 1 indicator (Red or Green), wall mount	226
1320-5	Pushbutton, single gang, mushroom switch, wall mount**	140
1320-5-2	Pushbutton, single gang, mushroom switch, 2 indicators (Red and Green), wall mount**	188
1320-6	Pushbutton, narrow style, 1-3/4" frame mount	102
1320-6-2	Pushbutton, narrow style, 2 indicators (Red and Green), 1-3/4" frame mount	122

\*When ordering Part No. 1310 or 1320, specify momentary or maintained action.

\*\*Contacts available in SPDT form only.

### EMERGENCY RELEASE

**Attractive and durable, ACSI 1330-2 Emergency Release** provides manual emergency reporting. The 1330-2 is finished in blue enamel. Supplied with separate N.O. and N.C. contact outputs.

<b>Model</b>	<b>Description</b>	<b>List Price</b>
1330-2	Emergency Release	\$222



LIST PRICES EFFECTIVE  
AUGUST 1, 2009

## DOOR POSITION SENSORS

ACSI 1335 Door Position Sensors are used to confirm door position. Magnetic sensors mounted in the frame react to the proximity of a magnet mounted in the door. Pneumatic models also available for use in hazardous locations.

<u>Model</u>	<u>Description</u>	<u>List Price</u>
1335-1	D.P.S. Standard mortise, SPDT, N.O./N.C. contacts	\$124
1335-2	D.P.S. ANSI, SPDT, N.O./N.C. contacts	136
1335-3	D.P.S. 1" Recessed mount, SPDT, N.O./N.C. contacts	62
1335-4	D.P.S. Standard mortise, AIR, Three-way, N.O. ports	210
1335-5	D.P.S. ANSI, AIR, Three-way, N.O. ports	220

## INDICATORS

ACSI 1340 Indicators provide visual and/or audible indication of system status.

<u>Model</u>	<u>Description</u>	<u>List Price</u>
1340-1	Indicator, single gang, round LED (Red or Green), wall mount	\$ 60
1340-1-2	2 indicators, single gang, 2 round LEDs (Red and Green), wall mount	70
1340-2	Audible alarm, single gang, wall mount	94
1340-3	High security audible alarm, single gang, wall mount	136

## SERIES 1300 DOOR CONTROLS

ACSI Digital Keypads offer proven reliability for commercial, industrial, and residential applications. The 1355 Keypads are designed to control any electric locking device.

## DIGITAL KEYPADS

<u>Model</u>	<u>Description</u>	<u>List Price</u>
1355-1	Digital Indoor Keypad	\$240
1355-2	Weather Resistant Keypad	350
1355-3	Sealed Environmental Keypad <ul style="list-style-type: none"> <li>• Weather resistant self-contained metal housing</li> <li>• Vandal resistant</li> <li>• Small design suitable for commercial, industrial, and residential applications</li> </ul>	620
1355-4	Ruggedized Digital Keypad <ul style="list-style-type: none"> <li>• Weather resistant self-contained metal housing</li> <li>• Vandal resistant</li> <li>• One piece housing suitable for wall, post, or gooseneck mounting</li> <li>• Available in white or black</li> </ul>	730
1355-5	Mullion Digital Keypad <ul style="list-style-type: none"> <li>• Narrow style suitable for aluminum door frame mounting</li> <li>• Available in bronze or satin aluminum</li> </ul>	680
1355-6	Indoor Backlit Keypad <ul style="list-style-type: none"> <li>• Illuminated backlit hardened keys</li> <li>• Heavy traffic application</li> <li>• Flush mount design</li> </ul>	350
1355-7	Harsh Environment Keypad <ul style="list-style-type: none"> <li>• Vandal and weatherproof case</li> <li>• Indoor/outdoor applications</li> <li>• Touch sensitive flat key design</li> <li>• 12/24 volts AC/DC jumper selectable</li> </ul>	730

# SERIES 1400 POWER SUPPLIES

ACSI Series 1400 Power Supplies are designed and manufactured by ACSI engineers to operate a variety of electric locking devices that will meet the most sophisticated specifications.

ACSI system engineers are available to assist you in the selection of the power supply that best meets your application. All ACSI designed systems include riser diagrams and point-to-point wiring diagrams that allow ease of interface with life safety and security systems.

## 1410, 1420, 1440, 1400-6100 POWER SUPPLIES

### Features

- UL Listed under 294 standard for access control system units (File BP6737)
- Class 2 outputs
- Filtered/Regulated 24VDC
- 2 amp load capacity
- Overload protection
- Over voltage protection
- Short circuit protection
- Surge suppression on fail safe and fail secure outputs
- Accepts 120VAC or 240VAC input
- Input provided for fire alarm or emergency release interface

## 1410 POWER SUPPLY

ACSI 1410 Interlock Power Supply is designed to interconnect two or more doors using fail safe locking devices. Each supply can control up to four doors; and the system can be expanded for requirements in excess of four doors.

Any one door can be programmed to be part of (common to) as many as three separate interlocking systems. Separate plug-in p.c. boards used to control interlocking doors can be programmed for normally locked or normally unlocked operation.

<u>Model</u>	<u>Description</u>	<u>List Price</u>
1410-2	2 Door interlock	\$530
1410-3	3 Door interlock	630
1410-4	4 Door interlock	710

## 1420 POWER SUPPLY

ACSI 1420 Power Supply provides power and control for openings with an electrified locking device and automatic door operator.

<u>Model</u>	<u>Description</u>	<u>List Price</u>
1420	24VDC, 2 amp	\$336

## 1440 POWER SUPPLY

ACSI 1440 Power Supply provides power for fail safe or fail secure locking devices.

<u>Model</u>	<u>Description</u>	<u>List Price</u>
1440	24VDC, 2 amp	\$284

## 1400-6100 POWER SUPPLY

**ACSI 1400-1600 Power Supply** is used exclusively with the **ACSI Series 6100 Communicating Door (Common Bath) System**.

<u>Model</u>	<u>Description</u>	<u>List Price</u>
1400-6100	24VDC, 2 amp	\$310

## 1406/1426 POWER SUPPLY

**ACSI 1406 and 1426 Power Supplies** are designed to operate exit devices equipped with **ACSI Series 1550 Electric Latch Retraction**.

**Features**

- UL Listed under 294 standard for access control system units (File BP6737)
- Class 2 outputs
- Provides power and control electronics for up to two **ACSI 1550 Electric Latch Retraction Exit Devices**
- Select from independent control of single exit devices from separate inputs (one or two single doors) or sequential operation of two exit devices from a single input (pair of doors)
- Automatic door operator interface
- Fire alarm interface
- Field adjustable latch retraction time delay
- 24VDC, 12VDC constant voltage outputs (250 mA each)

**Day/Night Mode-ACSI 1426 Power Supply** provides a separate input for retracting one exit device or two exit devices sequentially without activating the automatic door operator. While the latches are held retracted, the auto-operator can be activated independently from a different input.

<u>Model</u>	<u>Description</u>	<u>List Price</u>
1406-04-AO	24VDC, 2 amp	\$440
1426-04-AO	24VDC, 2 amp	560

## 1460 BATTERY BACK-UP POWER SUPPLY

The **ACSI 1460 Power Supply** is designed to interface with ACSI 1410, 1420, 1440, 1400-6100, 1490, 1406, and 1426 Power Supplies providing back-up voltage upon loss of AC power.

<u>Model</u>	<u>Description</u>	<u>List Price</u>
1460	24VDC, 4 amp-hour battery back-up	\$520

## 1490 DELAYED EGRESS POWER SUPPLY

The **ACSI 1490 Power Supply** is designed to interface with ACSI electromagnetic locks in a delayed egress locking application. UL Listed and meets NFPA 101 requirements.

<u>Model</u>	<u>Description</u>	<u>List Price</u>
1490-21	1 zone card	\$640
1490-22	2 zone cards	710
1490-23	3 zone cards	776
1490-24	4 zone cards	840



LIST PRICES EFFECTIVE  
AUGUST 1, 2009

# OPTIONS

- 1420-RL1** Relay Box, Single Relay \$126
  - 24VDC rated relay intended for use with all 1400 Series power supplies for converting switched voltage outputs to dry contacts.
  - Provides DPDT dry contact outputs for interfacing with other access control or monitoring equipment.
  - Equipped with screw terminals for convenient wiring.
  - Mounted inside 8"x8"x4" pull box provided with knockouts.
  - Coil draws 40mA.
  - Contacts rated 5 amps at 120VAC/28VDC
- 1420-RL2** Relay Box, Dual Relay 146
  - Same features as 1420-RL1, but provided with two sets of independently controlled DPDT dry contacts.

# SERIES 1500 ELECTRIC LOCKS/MODIFICATIONS

You supply the lock and ACSI supplies high quality UL Listed modifications to a wide range of manufacturers' locksets.

## HOW TO ORDER

1 Lock Type	2 Modification Number	3 Options	4 Locking	5 Lock Part No.	6 Operating Voltage	7 Quick Connect Cable	8 Handing
M	1510	AE	1	Full	24VDC	QC	RH
C	1520	LM	2	Part	24VAC/DC	LC	LH
MU	1500	SM		Number	12VDC 12VAC/DC		RHR LHR
Example:							
M	1510	AE	1	L9070 (Schlage)	24VDC		RH

## 1. LOCK TYPE (ADD TO BASE PRICE) ■ ■ ■ ■ ■ ■ ■ ■

(Select type of lock to be modified)

Model	Description	List Price
M	Mortise Lock	Std
C	Cylindrical Lock	Std
MU	Unit Lock	\$220

## 2. MODIFICATION NUMBER (BASE PRICE) ■ ■ ■ ■ ■ ■ ■ ■

(Select type of modification required)

Model	Description	List Price
1510	Fail Safe Control	\$250
1520	Fail Secure Control	250

### 3. OPTIONS

<u>Model</u>	<u>Description</u>	<u>List Price</u>
<b>AE</b>	Authorized Egress (Mortise or Cylindrical Lock) ACSI Authorized Egress is a SPDT switch which monitors the activation of the INSIDE trim. The <b>AE</b> switch can be used to: <ul style="list-style-type: none"> <li>• Shunt a door alarm to allow egress</li> <li>• Signal a control console when the trim is activated</li> <li>• Activate a door alarm</li> <li>• Control an electromagnetic lock for egress</li> </ul>	\$120
<b>LM</b>	Latch Bolt Monitor (Mortise Lock) <ul style="list-style-type: none"> <li>• Latch bolt monitoring is a SPDT switch which monitors the full extension of the main latch.</li> </ul>	\$120
<b>SM</b>	Security Monitoring (Mortise Lock) <ul style="list-style-type: none"> <li>• The ACSI <b>SM</b> option monitors, in series, solenoid status (locked or unlocked) and latch status (deadlatch position).</li> </ul>	\$220
<b>DM</b>	Deadbolt Monitor (Mortise Lock) <ul style="list-style-type: none"> <li>• Deadbolt monitoring is a SPDT switch which monitors the extension of the deadbolt.</li> </ul>	\$120
<b>DPS</b>	Door Position Sensor (Mortise Lock) <ul style="list-style-type: none"> <li>• Door position monitoring is a SPDT magnetic sensor used to confirm door position. Magnetic sensors mounted in the mortise lock react to the proximity of a magnet mounted in the ASA strike. (Strike not included)</li> </ul>	\$160
<b>MK-10</b>	Field installable authorized egress kit for Schlage L series Mortise Lock	\$80

### 4. LOCKING

<u>Model</u>	<u>Description</u>	<u>List Price</u>
<b>1</b>	Standard control locks outside (secure side) trim.	Std
<b>2</b>	Locks both sides – Mortise locks only.	\$30

### 5. LOCK PART NO.

Distributors supply ACSI with mortise, cylindrical or unit locks for modification. Please supply the lock manufacturer's part number.  
Example: L9070, 8237, 8808, ND80, 3357, etc.

**Note:** Refer to Series 1500 Lock Modification (pg. 16) for a complete listing of locks required by ACSI.

### 6. OPERATING VOLTAGE

<u>Model</u>	<u>List Price</u>
24VDC	Std
24VAC/DC	\$16
12VDC	30
12VAC/DC	30

**Note:** Mortise locks can be supplied with pneumatic control. Consult factory.

### 7. QUICK CONNECT CABLE

<u>Model</u>	<u>Description</u>	<u>List Price</u>
<b>QC</b>	Quick Connect Cable <ul style="list-style-type: none"> <li>• QC4 - 22AWG 2 conductor 6' quick-connect cable with two position connector. Allows for ease of installation in transfer of power from the lock to the electric hinge.</li> </ul>	\$40
<b>LC</b>	Lynx Connector (ASSA Connector) <ul style="list-style-type: none"> <li>• LC4</li> <li>• LC8</li> </ul>	60 80



## 8. HANDING

<u>Model</u>	<u>Description</u>
RH	Right Hand
LH	Left Hand
RHR	Right Hand Reverse
LHR	Left Hand Reverse

## ACCESSORIES

<u>Model</u>	<u>Description</u>	<u>List Price</u>
1580-1	AC/DC Converter	\$24
1580-2	Voltage Regulator <ul style="list-style-type: none"> <li>• Regulates source voltages up to 30 volts DC (35 volts AC) to a 24VDC output level.</li> <li>• Works with AC or DC source voltages</li> <li>• Can be used with 24VAC/DC rated cylindrical or mortise locks up to 360MA.</li> <li>• UL Listed</li> </ul>	100

## ELECTRIC MORTISE LOCK BODIES

**ACSI Stocks Electric Mortise Lock Bodies** available in Schlage, Corbin Russwin, Sargent, Yale, Best, Falcon, and Dorma. The locks are available in fail safe and fail secure, 24 volt or 12 volt and a variety of monitoring options.

<u>Model</u>	<u>Mortise Lock Body</u>	<u>List Price</u>
M1510 L9070B 24VAC/DC	Schlage-Fail Safe	\$600
M1510 2055B 24VAC/DC	Corbin Russwin-Fail Safe	660
M1510 8237B 24VAC/DC	Sargent-Fail Safe	700
M1510 8808B 24VAC/DC	Yale-Fail Safe	700
M1510 45H7JB 24VAC/DC	Best-Fail Safe	780
M1510 ML561B 24VAC/DC	Falcon-Fail Safe	660
M1510 ML9070B 24VAC/DC	Dorma-Fail Safe	660
M1520 L9070B 24VAC/DC	Schlage-Fail Secure	\$600
M1520 2055B 24VAC/DC	Corbin Russwin-Fail Secure	660
M1520 8237B 24VAC/DC	Sargent-Fail Secure	700
M1520 8808B 24VAC/DC	Yale-Fail Secure	700
M1520 45H7JB 24VAC/DC	Best-Fail Secure	780
M1520 ML561B 24VAC/DC	Falcon-Fail Secure	660
M1520 ML9070B 24VAC/DC	Dorma-Fail Secure	660

## ELECTRIC CYLINDRICAL LOCKS

**ACSI Stocks Schlage Electric Cylindrical Locks** available in a variety of styles and finishes.

<u>Model</u>	<u>Mortise Lock Body</u>	<u>List Price</u>
C1510 ND80PD 24VAC/DC	Schlage-Fail Safe	\$520
C1520 ND80PD 24VAC/DC	Schlage-Fail Secure	520

**Note:** Authorized Egress (Request to Exit) and 12 volt options available. Specify trim style, format and finish. Available in Rhodes, Sparta and Athens trim style. Finishes available in 626, 625 and 613.

## ELECTRIC LOCK MODIFICATION LISTING

**Note:** If you do not find the lock of your choice listed, please consult with our factory engineering staff. We may request that you send a sample for further evaluation.

Manufacturer	Mortise Locks	Cylindrical Locks	Unit Locks
Arrow	AM17 BM17	H12 Q12	
Baldwin	6065 6065LS		
Best	35H7J, 45H7J		
Corbin Russwin	2055	3357	UT5257
Dorma	ML9070		
Falcon	ML561		
Hager	3850	3480	
PDQ	MR115	GT115	
Sargent	8237	10G04	
Schlage	L9050 L9070 L9080* 9453	D80 Rhodes (Lever) D53 (Knob) D94 ND80, ND94	
Yale	8808		

\*Schlage L9080 must be supplied with extra spring cage to compensate for lever sag of outside trim.

## ELECTRIC LOCK COMPARISON CHART

ACSI	Arrow	Best	Corbin Russwin	Dorma	Falcon	Sargent	Schlage	Yale
M1510C-00-1	A17-177 B17-177	EWEL	20903 20910	ML9080EL	M851	8270	L9080EL	8890
M1510C-00-2		WWEL	20901 20920	ML9082EL	M811	8272	L9082EL	8894-2
M1520C-00-1	A17-178 B17-178	EWEU	20905 20930	ML9080EU	M881	8271	L9080EU	8891
M1520C-00-2		WWEU	20940 20940	L9082EU	M821	8273	L9082EU	8895-2
C1510C-00-1	Q12-177 H12-177		33903			10G70	ND80PDEL	5490
C1520C-00-1	Q12-178 H12-178		33905			10G71	ND80PDEU	5491
AE		RQE	M92	RX*		RX	RX	REX
LM*		LS*	M91*			LX*		LBM*
SM*			M105*					
DM*						DX*		

\*Available Mortise Only

# SERIES 1500 ELECTRIC EXIT DEVICE MODIFICATIONS

You supply the exit device and ACSI supplies high quality UL Listed modifications to a wide range of manufacturers' exit devices.

## HOW TO ORDER

1 Lock Type	2 Modification Number	3 Lock Part No.	4 Voltage	5 Options	6 Handing
ME	1510	Full Part Number	24VDC	AE	LHR
RE	1520		24VAC/DC	LM	RHR
VR	1540				
	1550				
	1560				
	1570				
Example:					
RE	1550	8800 (Sargent)		AE	RHR
ME	1520	9975 (Von Duprin)	24VDC		LHR
VR	1540	7120 (Yale)	24VDC		RHR

## 1. LOCK TYPE ■ ■ ■ ■ ■ ■

(Select type of lock to be modified)

<u>Model</u>	<u>Description</u>	<u>List Price</u>
<b>ME</b>	Mortise Exit Device	Std
<b>RE</b>	Rim Exit Device	Std
<b>VR</b>	Vertical Rod Exit Device	Std

## 2. MODIFICATION NUMBER (ADD TO BASE PRICE) ■ ■ ■ ■ ■ ■

(Select type of modification required)

<u>Model</u>	<u>Description</u>	<u>List Price</u>
<b>1510</b>	Fail Safe Control	\$280
<b>1520</b>	Fail Secure Control • ACSI Series 1510/1520 Modifications provide a remote means of locking or unlocking of Mortise Exit Devices.	280
<b>1540</b>	Electric Dogging • ACSI Series 1540 Electric Dogging provides continuous latch retraction and dogging simultaneously. When the ACSI 1540 is energized, first time mechanical activation of the push bar will continuously hold the push bar and the latch retracted. When power is removed or interrupted from the 1540 exit device, the latch bolt will extend and push bar is released.	\$360
<b>*1550</b>	Latch Retraction • ACSI Series 1550 Latch Retraction Exit Device modifications provide a remote means of unlocking exit devices.	\$380
<b>1560</b>	Trim Control - Fail Safe	\$280
<b>1570</b>	Trim Control - Fail Secure	280

\*ACSI UL Listed 1406 or 1426 Latch Retraction Power Supply must be used with ACSI 1550 Latch Retraction Modifications.

### 3. LOCK PART NUMBER □ □ □ □ □ □

Enter Manufacturer's full lock part number (i.e., 9947, 7000, 8000, etc).

### 4. OPERATING VOLTAGE □ □ □ □ □ □

Select required operating voltage

<u>Model</u>	<u>List Price</u>
24VDC	Std
24VAC/DC	\$16

### 5. OPTIONS □ □ □ □ □ □

<u>Model</u>	<u>Description</u>	<u>List Price</u>
<b>AE</b>	Authorized Egress ACSI Authorized Egress (AE) is an SPDT (Single Pole Double Throw) switch which monitors the push bar of the exit device. The <b>AE</b> Switch can be used to: <ul style="list-style-type: none"> <li>• Signal a control console when the push bar is depressed</li> <li>• Activate a door alarm</li> <li>• Control an electromagnetic lock for egress</li> <li>• Shunt a door alarm to allow egress</li> </ul>	\$100
<b>LM</b>	Latch Bolt Monitor Latch Bolt Monitoring is an SPDT switch which monitors the position of the latch bolt for both ingress and egress.	\$120

### 6. QUICK CONNECT CABLE □ □ □ □ □ □

<u>Model</u>	<u>Description</u>	<u>List Price</u>
<b>QC</b>	Quick connect cable with connector. Allows for ease of installation in transfer of power from the exit device to the electric hinge.	\$40
<b>LC</b>	Lynx Connector (ASSA Connector) <ul style="list-style-type: none"> <li>• LC4</li> <li>• LC8</li> </ul>	80

### 7. HANDING

(Specify handing of exit device)

<u>Model</u>	<u>Description</u>
<b>RHR</b>	Right Hand Reverse
<b>LHR</b>	Left Hand Reverse

### ELECTRIC TRIM CONTROL

ACSI stocks Von Duprin electrified 996L exit trim controls.

<u>Model</u>	<u>Mortise Lock Body</u>	<u>List Price</u>
RE/VR 1560 996L 24VAC/DC 626	Von Duprin-Fail Safe	\$780
RE/VR 1560 996L 24VAC/DC 613	Von Duprin-Fail Safe	810
RE/VR 1570 996L 24VAC/DC 626	Von Duprin-Fail Secure	780
RE/VR 1570 996L 24VAC/DC 613	Von Duprin-Fail Secure	810

**Note:** Available in 12 Volt

## 1550K-VD ELECTRIC LATCH RETRACTION KIT

THE 1550K-VD is a field installable Electric Latch Retraction Kit for Von Duprin 33/35 and 98/99 exit devices.

<b>Model</b>	<b>Description</b>	<b>List Price</b>
<b>1550K-VD</b>	Electric Latch Retraction Kit	\$380

**Note:** ACSI UL Listed or 1406 or 1426 Power Supply must be used with ACSI 1550K-VD ELR Kit

**Note:** Not available in Von Duprin 48 function

**Note:** Specify length of exit device

## ELECTRIC EXIT DEVICE MODIFICATION LISTING

**Note:** If you do not find the lock of your choice listed, please consult with our factory engineering staff. We may request that you send a sample for further evaluation.

Arrow	Corbin Russwin	Dorma	Monarch	Precision	Sargent	Von Duprin	Yale
SL	ED4000	9000	F-18	2000	90	33	7000
S1100	ED5000	5000			80	35	
S1200					20	98	
S3000						99	



LIST PRICES EFFECTIVE  
AUGUST 1, 2009

## ELECTRIC EXIT DEVICE SWITCH KITS

ACSI K Series Switch Kits are field installed in the touch bar or in the hinge style case of an exit device. K Series Switch Kits include a SPDT (Single Pole Double Throw) switch assembly with long wire leads and easy-to-follow installation instructions. K Switch Kits may be used to:

- Provide instant release of magnetic locks for free egress
- Activate a door alarm
- Signal a control console when the push bar of an exit device is depressed
- Shunt a door alarm to allow free egress

<b>Model</b>	<b>Description</b>	<b>List Price</b>
K-100	Switch Kit for Von Duprin 33, 99	\$80
K-101	Switch Kit for Von Duprin 55	80
K-102	Switch Kit for Von Duprin 88	80
K-103	Switch Kit for Sargent 80 Series	80
K-104	Switch Kit for Sargent 9600, 9700, 9800, 9900	80
K-105	Switch Kit for Sargent 9300, 9400, 9500	80
K-106	Switch Kit for Adams Rite 8000, 3000	80
K-107	Switch Kit for Corbin Russwin 8000 and Yale 2100	80
K-108	Switch Kit for Jackson 1085, 1095	80
K-109	Switch Kit for Yale 7000 and Corbin Russwin ED4000, ED5000	80
K-110	Switch Kit for Monarch 18, 19	80
K-111	Switch Kit for Doromatic 990, 1090	80
K-112	Switch Kit for Doromatic 1490, 1590	80
K-113	Switch Kit for Corbin Russwin 39, 572	80
K-114	Switch Kit for American Device 4000, 6000	80
K-115	Switch Kit for Precision FL APEX Series	80
K-124	Switch Kit for Precision 2000 Series	80
K-125	Switch Kit for Dorma 9000	80
K-126	Switch Kit for Hager 4500, American Eagle 6200, K2 QED 100	80
K-127	Switch Kit for ACSI 1500K-VD ELR Kit on Von Duprin 33, 99	80
K-203	Switch Kit for Sargent 80 Series DPDT	120
K-123	Latch Bolt Monitor Switch Kit for Von Duprin 33, 99	80

**Note:** Field modification of UL Listed devices voids the UL Listing.

## ELECTRIC EXIT DEVICE LATCH RETRACTION COMPARISON

<b>Manufacturer</b>	<b>Latch Retraction Part No.</b>	<b>Power Supply Part No.</b>	<b>Latchbolt Monitor Part No.</b>	<b>Request To Exit Part No.</b>
ACSI	1550	1406	LM	AE
Von Duprin	EL	PS873	LX	RX
Sargent	56	3510	53	55
Yale	P	781N	S	B
Corbin Russwin	M94	781N	M91	M92
Precision	ELR	ELR150	LS	SS
Dorma	ES	ES100	LM	MS
Adams Rite	EL, LR	PS-LR	LM	M1

# SERIES 1700 ELECTRIC STRIKES

ACSI Series 1700 Electric Strikes are fire rated, heavy duty, for use with cylindrical, mortise, and specialty locksets. Designed for high usage, Grade 1 applications, the 1700 accommodates all locksets with an ANSI 4-7/8" cutout. Accommodates up to a 1" throw.

**Features**

- BHMA 156.31, Grade 1
- UL 1034, burglary resistance
- UL 10C, 3 hour fire rated (fail secure only)
- Dual voltage field selectable 12/24 VDC
- 27 faceplate options available
- Includes trim enhancer and keeper shims

## HOW TO ORDER

1 Model	2 Options	3 Voltage	4 Finish
Example: 1700KD	F	24VDC	32D

## 1. MODELS AVAILABLE

Model	Description	Finish	List Price
1700J	Cylindrical locksets up to 3/4" throw and all locksets with center-lined bolts (including tubular deadbolts up to 1' throw)	32D	\$560
1700K	Mortise locksets with a deadlatch positioned above the latchbolt	32D	560
1700N	Mortise locksets where the deadbolt is used for night-latch function only	32D	580
1700A	Mortise locksets with a normally extended 1" deadbolt without a deadlatch	32D	580
1700T	Mortise locksets with a normally extended 1" deadbolt and a center-lined deadlatch	32D	580
1700R	A hookbolt up to 1" throw	32D	580
1700E	Corbin Russwin Security Bolt, Weiserbolt, and normally extended 1" tubular deadbolts	32D	580
1700Z	Unit and mono locks	32D	560
1700HT	ASSA model 504 mortise lockset with two latchbolts and a center deadlatch	32D	580

**"D" model strikes listed below are designed to accommodate Schlage L Series, Sargent 7700 and 8100 Series and Yale 8700 offset mortise locks.**

1700KD	Mortise lockset with a deadlatch positioned above the latchbolt	32D	\$560
1700ND	Mortise locksets where the deadbolt is used for night-latch function only	32D	580
1700AD	Mortise locks with a normally extended 1" deadbolt without a deadlatch	32D	580
1700TD	Mortise locksets with a normally extended 1" deadbolt and a center-lined deadlatch	32D	580
1700HD	Mortise locksets with a 1" deadbolt without a deadlatch. The deadbolt is not released.	32D	580
1700 HTD	Mortise locksets with a 1" deadbolt and a center-lined deadlatch. The deadbolt is not released.	32D	580

## 1. MODELS AVAILABLE (cont.)

“M” model strikes listed below are designed to accommodate mortise locks with a deadlatch positioned below the latchbolt.

<u>Model</u>	<u>Description</u>	<u>Finish</u>	<u>List Price</u>
1700KM	Mortise locksets with a deadlatch positioned below the latchbolt	32D	\$560
1700NM	Mortise locksets with a deadlatch positioned below the latchbolt and where the deadbolt is used for night-latch function only	32D	580
1700AM	Mortise locksets with a normally extended 1” deadbolt and deadlatch positioned below the latchbolt	32D	580
1700HM	Mortise locksets with a 1” deadbolt with a deadlatch positioned below the the latchbolt. The deadbolt is not released.	32D	580
<b>Electric Strikes/Exit Devices</b>			
1783	Rim exits in metal frame applications with a 3/4” pullman latch	32D	\$390
1786	Rim exits in aluminum frame and surface vertical rod exit devices with up to 3/4” pullman latch	32D	410

## 2. OPTIONS

<u>Model</u>	<u>Description</u>	<u>List Price</u>
J-2	Wood frame applications. Available with J, K, KD, KM, N, T, A, and H strikes	\$ 70
F	Fail Safe	NC
LBM	Monitors position of latchbolt. Available with J, K, KD, KM, N, ND, NM, Z, J-2, K-2, KM-2 strikes	110
LBSM	Monitors position of latchbolt and keeper. Available with K and KD strikes	130

**Note:** Leave blank if no options are required.

## 3. VOLTAGE

<u>Model</u>	<u>List Price</u>
24VDC	Std
12VDC	Std

## 4. FINISH

<u>Model</u>	<u>List Price</u>
US 32D, Black	Std
US 10B	\$20
US 3, 4, 10, 26	80



# SERIES 3700 ELECTROMAGNETIC LOCKS

The Series 3700 UL Listed Electromagnetic Locks combine high security features with fail safe operation and conform with life-safety codes. The Series 3700 is designed for single or pairs of outswing or inswing doors.

**Features**

- UL Listed
- Variety of models available
- Positive fail safe security
- No moving parts - maintenance free
- Low power consumption
- Built-in surge and spike protection
- Built-in door position sensor

**Options**

- Magnetic bond sensors
- Built-in delay actuator switches
- Power LED
- Custom length housings
- Variety of architectural finishes
- Glass door brackets

## HOW TO ORDER

1 Model	2 Voltage	3 Finish	4 Options
Example: 3710	24VDC	SA	MBS

## 1. MODELS AVAILABLE

<b>Model</b>	<b>Description</b>	<b>List Price</b>
3710	Single 1200 lb. magnetic lock (outswing)	\$ 540
3711	Single 1200 lb. magnetic lock with Z bracket (inswing)	690
3720	Double 1200 lb. magnetic lock (outswing)	1,070
3721	Double 1200 lb. magnetic lock with Z bracket (inswing)	1,350
3750	Single 1200 lb. magnetic lock for sliding doors	720
3760	Single 300 lb. magnetic lock	460
3770	Double 300 lb. magnetic lock	930
3780	Single 600 lb. magnetic lock	500
3790	Double 600 lb. magnetic lock	1,010
3795	Concealed magnetic shear lock	920



LIST PRICES EFFECTIVE  
AUGUST 1, 2009

**2. VOLTAGE** 

<u>Model</u>	<u>List Price</u>
24VDC	Std
12VDC	Std
24VAC	\$40
12VAC	40

**3. FINISH** 

<u>Model</u>	<u>Description</u>	<u>List Price</u>
SA	Satin Aluminum	Std
BA	Black Anodized	POA
GA	Gold	POA
DBN	Dark Brown	POA
US3	Bright Brass	POA
US4	Satin Brass	POA
US26	Bright Chrome	POA

**4. OPTIONS** 

<u>Model</u>	<u>Description</u>	<u>List Price</u>
MBS	Magnetic bond sensor	\$136
BDA	Built-in delay actuator switch	250
L1	1 LED (Green or Red)	34
L2	2 LED's (Green or Red)	68
FP1	Filler plate, single magnet (Specify 5/8 or 1/2 inch)	84
FP2	Filler plate, double magnet (Specify 5/8 or 1/2 inch)	100
GLB-1	1/2" glass door bracket	140
GLB-2	3/4" glass door bracket	140
AB-1	Angle bracket for single magnet	134
AB-2	Angle bracket for double magnet	180

**Note:** Please consult the factory for custom length decorative housings.



LIST PRICES EFFECTIVE  
AUGUST 1, 2009

# SERIES 6100 COMMUNICATING BATH DOOR SYSTEM

The ACSI Series 6100 System is designed to coordinate access to a common bathroom facility from adjoining rooms. This system allows more efficient utilization of floor space in health care facilities or dormitories by eliminating the need for a bathroom in each room.

### Features

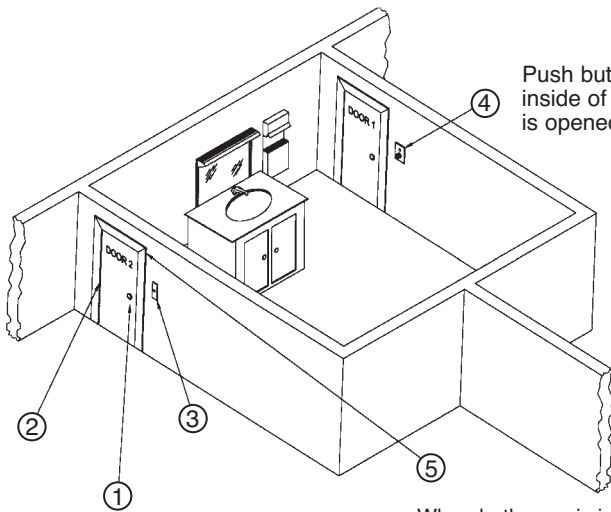
- Fail safe system - doors will unlock when power is removed
- Free egress at all times
- User privacy
- Eliminates accidental lock-out of either room to the bathroom
- Mechanical key override allows personnel to enter during an emergency
- 1400-6100 power supply provided

### Options

- Series 6100 System will require one of the following electric locking devices:
  - A. (2) Mortise locks with ACSI 1510C-00-1-24VDC/AC modifications plus (2) ACSI Series 1100 Electric Hinges
  - B. (2) Cylindrical locks with ACSI 1510C-00-1-24VDC/AC modifications plus (2) ACSI Series 1100 Electric Hinges
  - C. (2) 8500-M-PL-24VAC/AC Gemini Locking Systems

**Note: Electric Lock/Electric Hinge option and the Gemini option are not included in the Series 6100 price.**

## COMMUNICATING BATH DOOR SYSTEM



Push button to lock doors. There will be a lock button at door 1 & door 2 on the inside of the bathroom. Both doors will unlock automatically when one of the two is opened. They will remain unlocked until the "push to lock" button is pushed.

When bathroom is in use the occupied light will come on. There will be an occupied light at door 1 & door 2 on the outside of the bathroom.

Item	Qty	Description
①	2 Each	Fail Safe locks use one of the following options: M1510C-00-1-24VDC/AC C1510C-00-1-24VDC/AC 8500-M1-PL-24VDC/AC
②	2 Each	Electric hinges, Model 1104 (Not required on 8500 locking device)
③	2 Each	Indicators marked "Occupied"
④	2 Each	Push buttons with indicator marked "Push to Lock"
⑤	2 Each	Door position sensors
⑥	1 Each	1400-6100 power supply, 24VDC @ 2 amp (not pictured)

## HOW TO ORDER

<b>1</b>	<b>2</b>
<b>Model</b>	<b>Electric Locking Device</b>
6100	A, B, or C

### 1. 6100 SYSTEM ■ ■ ■

<u>Model</u>	<u>Description</u>	<u>List Price</u>
6100	Communicating Bath Door System	\$796

**Note: Electric Lock/Electric Hinge option and the Gemini option are not included in the Series 6100 price.**

### 2. ELECTRIC LOCKING DEVICE REQUIRED ■ ■ ■

The Series 6100 System requires one of the following options:

- A. (2) M1510C-00-1-24VAC (Electric Mortise Locks)
- B. (2) C1510C-00-1-24VAC (Electric Cylindrical Locks)
- C. (2) 8500-ML-PL-24VAC (Gemini Locking System)

**Note:** Specify lock manufacturer being used; i.e., Schlage, Corbin, Sargent, Yale, etc.

**Note: Electric Lock/Electric Hinge option and the Gemini option are not included in the Series 6100 price.**

### 3. 1104 ELECTRIC HINGES ■ ■ ■

Series 6100 System requires (2) ACSI Series 1104 electric hinges if options A or B are supplied. Please specify manufacturer, weight, size and finish of the hinge required.

**Example:**

Hager BB1279 4.5 x 4.5 - 26D - 1104  
 Stanley FBB191 5 x 4.5 - 10B - 1104

**Note: Electric Hinge option is not included in the Series 6100 price. Consult factory for pricing.**

**Note:** System may be furnished with an emergency release device; i.e., 1330-2 Emergency Release or 1320-2 Pushbutton Switch. Consult factory.



LIST PRICES EFFECTIVE  
 AUGUST 1, 2009

# SERIES 8500 GEMINI LOCKING SYSTEM

The patented ACSI Gemini Locking System provides safety and security for stairtower doors or controlled areas where both locking and latching are required. The Gemini System allows remote electric locking or unlocking while conforming to life-safety codes. The System consists of two components: a Gemini modified Mortise Lockset and a frame mounted Gemini Operator.

## HOW TO ORDER

1 Gemini Operator	2 Lock	3 Control Mode	4 Voltage/ Air Power	5 Quick Connect Cable	6 Monitoring	7 Finish	8 Handing	9 Lock Part No.
8500 8500F	M1 M2 E	PL PUL	24VDC 24VAC/DC  115VAC	QC	CLS OLS	26D	LH RH LHR RHR	L9070
Example:								
8500	M1	PL	24VDC	QC	CLS	26D	LH	L9070

## 1. GEMINI OPERATOR

<u>Model</u>	<u>Description</u>
<b>8500</b>	The standard Gemini operator is designed for 2" frame face applications and fits a standard ANSI 4-7/8" frame prep.
<b>8500F</b>	Also designed for 2" frame face applications, this operator is supplied with an oversized strikeplate for easy installation in retrofit applications.

## 2. LOCK TYPE (BASE PRICE)

<u>Model</u>	<u>Description</u>	<u>List Price</u>
<b>M1</b>	Mortise lock with one side (lever or knob) locked	\$470
<b>M2</b>	Mortise lock with both sides (lever or knob) locked	490
<b>E</b>	Mortise exit with outside locked only	500

## 3. CONTROL MODE

<u>Model</u>	<u>Description</u>	<u>List Price</u>
<b>PL</b>	Power Lock (Fail Safe)	Std
<b>PUL</b>	Power Unlock (Fail Secure)	\$110

**4. VOLTAGE OR AIR POWERED OPERATOR** 

The Gemini can be supplied with a broad range of electric or air requirements.

<u>Model</u>	<u>List Price</u>
24VDC	Std
24VAC/DC	\$ 30
115VAC	120

**Note:** 115VAC not available in PUL

**5. QUICK CONNECT CABLE** 

<u>Model</u>	<u>Description</u>	<u>List Price</u>
QC	An optional quick connect cable 10' in length with stripped wires at one end for splicing into an electrical box or power supply and with a connector on one end for quick connect to the Gemini operator is automatically supplied with a matching connector.	\$44

**Note:** Leave this space blank if not required.

**6. SECURITY MONITORING** 

<u>Model</u>	<u>Description</u>	<u>List Price</u>
CLS	Closed Loop Secure - Monitor <ul style="list-style-type: none"> <li>• When lock is secure (latch in strike-operator in locked position), monitor loop is a closed circuit. The circuit opens if security is breached.</li> </ul>	\$120
OLS	Open Loop Secure - Monitor <ul style="list-style-type: none"> <li>• When lock is secure (latch in strike-operator in locked position), monitor loop is an open circuit. The circuit closes if security is breached.</li> </ul>	120

**Note:** Leave this space blank if not required.

**7. FINISH** 

Specify US standard architectural hardware finish required.

**8. HANDING** 

<u>Model</u>	<u>Description</u>
LH	Left Hand
RH	Right Hand
LHR	Left Hand Reverse
RHR	Right Hand Reverse

**9. LOCK PART NUMBER** 

Distributors supply ACSI with mortise or mortise exit lock bodies for Gemini modification. Please supply the lock manufacturer's part number.

Example: L9070, 2055, BM17

# ACCESSORIES

<b>Model</b>	<b>Description</b>	<b>List Price</b>
302-03-02	Gemini Mortar Guard, 15"	\$30

## GEMINI LOCK MODIFICATION LISTING (INDICATES LOCK SETS THAT ARE

**Note:** If you do not find the lock of your choice listed, please consult with our factory engineering staff. We may request that you send a sample for further evaluation.

<b>Arrow</b>	<b>Corbin Russwin</b>	<b>Schlage</b>
AM17	2055	L9050
BM17		L9070
		L9080*

\*L9080 must be supplied with extra spring cage to compensate for lever sag of outside trim.

## GEMINI COMPARISON CHART

<b>ACSI - Gemini</b>	<b>Corbin Russwin</b>	<b>SDC Hitower</b>
<b>Fail Safe</b>		
8500-M1-PL	ML20950, ML20906	7550, 7540
8500-M2-PL	ML20960, ML20907	7530
8500-M1 or M2-PL*		7510, 7520
<b>Fail Secure</b>		
8500-M1-PUL	ML20970, ML20908	7570
8500-M2-PUL	ML20980, ML20909	7560

\*Please consult the factory for proper part number.

<b>ACSI</b>	<b>Description</b>	<b>SDC</b>
CLS, OLS	Monitoring	9A, 69A
QC	Quick-Connect Cable	SC-10
302-03-02	Mortar Guard for 2" Face Frame	7500-EB-S



LIST PRICES EFFECTIVE  
AUGUST 1, 2009



10666 Gateway Blvd.  
St. Louis, Missouri 63132  
1-800-753-5558 • 314-432-5588  
FAX: 314-432-2090  
[www.acsi-inc.com](http://www.acsi-inc.com)